

128-222R190 Lawn Boss 22 (1988)  
Mower Assembly

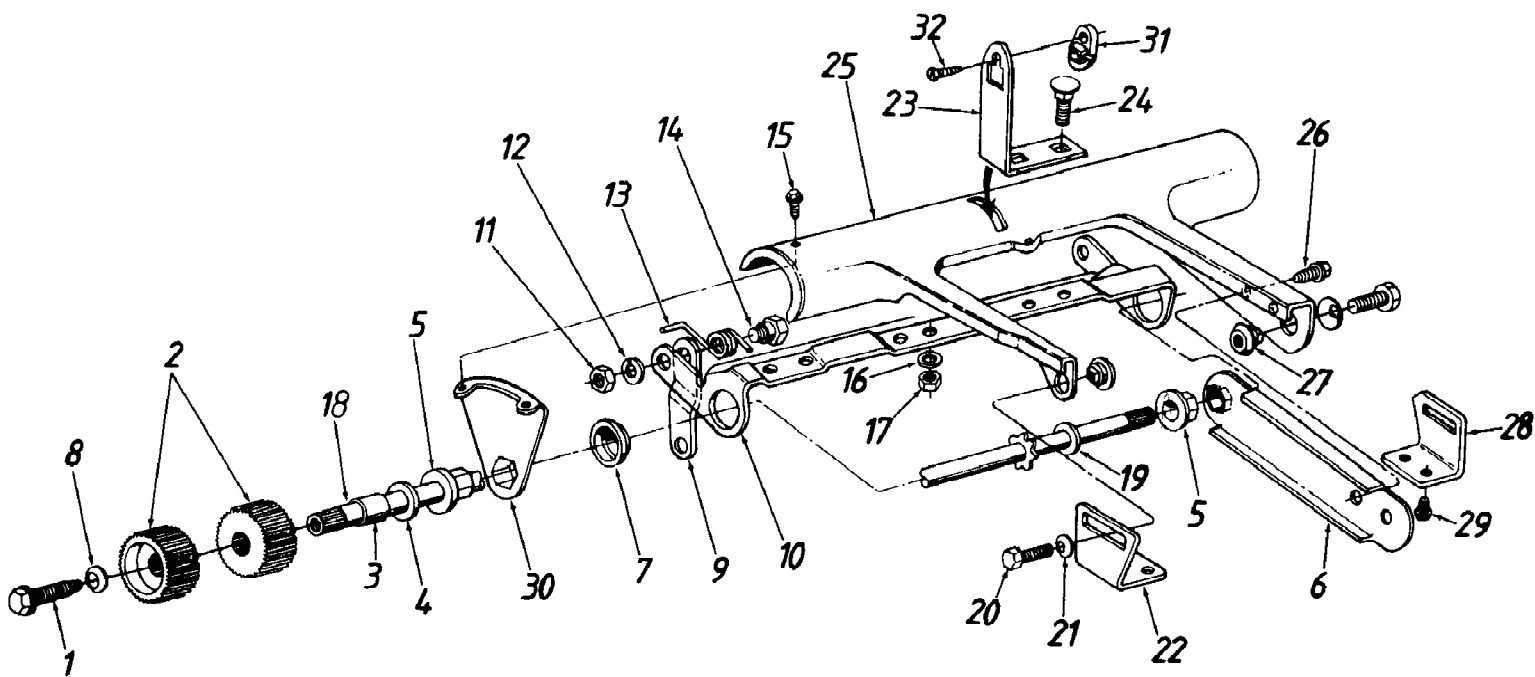
Page 2 of 5

Ref #	Part Number	Qty	S/P/F	Description
1	14321	1		Control Handle Ass'y.
2	710-0796	1	/P	Truss Mach. Scr. #12 x 1.5"
3	731-0817	1	S	Control Panel Half
4	731-0528	1	S	Throttle Control Lever
5	731-0524	1		Control Disc Pin
6	731-0816	1		Clutch Panel Half
8	749-0754	1		Upper Handle
9	777-5776	1		Instruction Label-Handle
10	710-0842	1		Rope Guide Bolt
11	736-0119	1	S	L-Wash. 5/16" I.D.
12	712-0267	1	S	Hex Nut 5/16-18 Thd.
13	710-0671	1	S	Curved Carriage Bolt 5/16-18 x 1.38" Lg.
14	726-0240	1	S	Cable Tie
15	749-0373	1	S	Lower Handle
16	714-0104	1	S	Hairpin Cotter
17	17098	1	S	Hinge Clip
18	731-0872	1	S	Rear Flap
19	17189	1	S	Handle Bracket Ass'y.-L.H.
20	17188	1	S	Handle Bracket Ass'y.-R.H.
21	736-0356	1	S	Bell-Wash. .39" I.D. x 1.38" O.D.
22	712-0798	1	/P	Hex Nut 3/8-16 Thd.
23	726-0106	1	S	Push Cap 1/4" Rod
24	711-0555	1		Pivot Pin
25	11130	1		Adapter Plate
26	710-0289	1	S	Hex Bolt 1/4-20 x .50" Lg.
27	736-0329	1	S	L-Wash. 1/4" I.D.
28	712-0287	1	S	Hex Nut 1/4-20 Thd.
29	17046	1		22" Deck Ass'y.
30	753-0462	1		Blade Adapter Kit
31	736-0415	1	S	Blade Bell-Wash. .45" I.D. x 2.38"
32	710-0459	1	S	Hex Bolt 3/8-24 x 1.5" Lg.
33	742-0522	1	S	22" Blade
34	14944	1	S	Chute Deflector Ass'y.
35	732-0253	1		Torsion Spring
36	728-0171	1		Pop Rivet
37	14924	1		Cable Bracket
38	12894	1		Cable Clamp
39		1		Engine
40	777-5773	1		Control Label-Throttle Control Label-Throttle
41	710-0429	1	S	Hex B-Tap Scr. #10 x .38"
42	751-0369	1		Cable Clamp
43	710-0227	1	/P	Hex AB-Tap Scr. #8 x 38R Lg.
44	735-0639	1	/P	Spark Plug Boot
45	753-0430	1		Kit-Control Housing Comp.
46	710-1020	1		Front Axle Bolt
47	736-0105	1	/P	Bell-Wash. .400" I.D. x .88"
48	738-0507	1	S	Shld. Bolt .50" Dia. x .357"
49	14832	1	S	Spring Lever Ass'y. w/Knob
50	15262	1	S	Pivot Bar
51	15261	1	S	Height Adj. Plate
52	734-0654	1		Wheel Ass'y. Comp.**
	741-0267	1		3/8" Ball Bearing
	741-0484	1		3/8" Ball Bearing

128-222R190 Lawn Boss 22 (1988)  
Mower Assembly

Page 3 of 5

Ref #	Part Number	Qty	S/P/F	Description
	750-0434	1	/P	Spacer
53	14578	1	/P	Height Adj. Ass'y. Comp.-R.H.
	14579	1		Height Adj. Ass'y. Comp.-L.H.
54	746-0632	1	S	Throttle Wire-53"
55	746-0476	1	S	Control Cable-39"
57	710-0654	1	S	Hex L-Wash. HD. Scr. 3/8-16 x 1.0" Lg.
58	738-0144	1	S	Rear Axle Bolt
59	741-0180	1	S	Fl. Ball Brg. 1/2" I.D.
60	734-1419	1		Rear Wheel Ass'y. Comp.
61	738-0528	1		Shld. Bolt .50" Dia. x .433
62	732-0417	1	S	Spring Lever
63	720-0190	1	S	Spring Lever Knob
64	736-0192	1	S	Fl-Wash. .531" I.D. x .93"
65	14760	1		Link 4.58" Lg.
66	14765	1		Pivot Bar R.H.
	14766	1		Pivot Bar L.H. (Not Shown)
67	710-0892	1	S	Hex AB-Tap 1/4-.62" Lg.
68	736-0105	1	/P	Bell-Wash. .380" I.D. x .88"
69	14764	1	S	Index Plate
71	16106	1		Rear Height Adj. Ass'y.-R.H.
	16107	1		Rear Height Adj. Ass'y.-L.H. (Not Shown)
72	736-0242	1	/P	Bell-Wash. 5/16" I.D.
73	712-0158	1	S	Hex L-Nut 5/16-18 Thd.
74	710-0726	1	/P	Hex Wash. AB-Tap Scr. 5/16 x .75" Lg.
75	16309	1	S	Cable Brkt.
76	746-0628	1	S	Clutch Cable w/Spring-32"
77	750-0649	1		Spacer 23" I.D. x 30" O.D.
78	736-0370	1		Spr.-Wash. .206" I.D. x .448
79	16604	1		S.P. Bail Ass'y.
80	731-0355	1		Hub Cap
81	750-0503	1	S	Spacer .383" I.D. x .503"
82	715-0247	1	S	Spring Pin Spir. 1" Lg.
83	713-0311	1	S	#48 Chain 1/2" Pitch x 50 Link
84	713-0308	1		10 Tooth Sprocket Ass'y.



128-222R190 Lawn Boss 22 (1988)  
Rear Pinion Assembly

Page 5 of 5

Ref #	Part Number	Qty	S/P/F	Description
1	710-0642	1	/P	Hex Wash. Hd. Tap Scr. 1/4-20 x .75" Lg.
2	717-0623	1		Wheel Drive Pinion-Half
3	711-0313	1	S	Sleeve .526" I.D. x 69" O.D.
4	736-0369	1	S	FI-Wash. 50" I.D. x 1.0" O.D.
5	741-0503	1	/P	Hex Flange Brg. .504 I.D.
6	17018	1		Hex Bearing Support
7	741-0504	1		Flange Bearing .879" I.D.
8	736-0270	1	/P	Bell-Wash. .265" I.D. x .75" O.D.
9	14760	1		Link 4.58" Lg.
10	16832	1		Drive Engagement Cam
11	712-0267	1	S	Hex Nut 5/16-18 Thd.
12	736-0119	1	S	L-Wash. 5/16" I.D.
13	732-0569	1	S	Torsion Spring-R.H.
	732-0570	1	S	Torsion Spring-L.H. (Not Shown)
14	738-0754	1		Shoulder Bolt ,437n Dia.
15	710-0776	1	S	Hex AB-Tap Scr. 1/4" x .62" Lg.
16	736-0329	1	S	L-Wash 1/4" 1 D
17	712-0287	1	S	Hex Nut 1/4-20 Thd.
18	738-0732	1		Drive Shaft Ass'y.
19	736-0160	1	S	FI-Wash. .631" I.D. x .93" O.D.
20	710-0621	1	S	Hex Bolt 5/16-18 x .50" Lg.
21	736-0242	1	/P	Bell-Wash. .345" I.D. x .88" O.D.
22	16531	1		Pivot Bracket-R.H.
23	16534	1		Engagement Arm-L.H.
24	710-0134	1	/P	Carriage Bolt t/4-20 x .62" Lg.
25	17019	1		Rear Pinion Pivot Cover
26	710-0352	1	/P	Hex B-Tap Scr. 1/4 x .38 Lg.
27	738-0739	1		Shoulder Nut
28	14749	1		Pivot Bracket-L.H.
29	710-0892	1	S	Hex Wash. Hd. AB-Tap Scr. 1/4 x.62 Lg.
30	17017	1		Hex Bearing Axle Brkt.
31	746-0606	1		Barrel Cable Hold-Down-R.H.
32	710-0919	1	/P	Hex B-Tap Scr. #10 x .44" Lg.